



More power generation

- Max. efficiency 99.03%, Euro efficiency 98.80%
- 12MPPTs for tracking maximum PV power
- Supports bifacial PV modules with max. PV current 20A



Low system cost

- Up to 24 PV strings
- Support aluminum cable access, saving cable costs
- Support PLC communication, save communication cable



High reliability

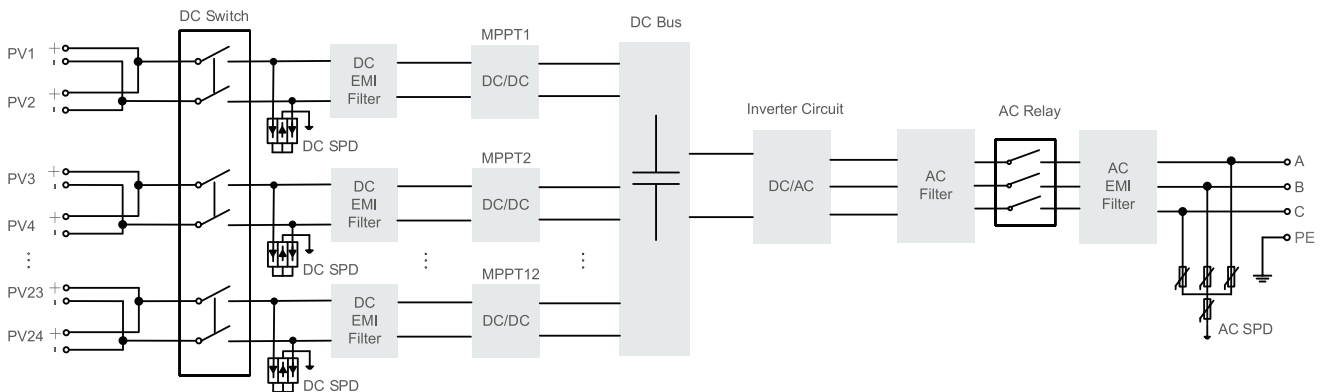
- Cooling fan with IP68 protection level
- Integrated string monitoring function
- Standard connection terminal for quick installation



Grid friendly

- Active power derating and reactive power adjustable
- Low harmonics and fast response for grid regulation

Circuit



TECHNICAL PARAMETERS

Input (DC)		RCM 275-TP-M-HV
Max. PV input voltage		1500V
MPPT Max. input current		40A*12
Rated input voltage		1080V
MPP voltage range		500~1500V
MPP voltage range for nominal power		880~1300V
Number of MPPT trackers		12
Max. number of PV strings per MPPT		2
Output (DC)		
Rated output power		275kW@30°C, 250kW@45°C, 225kW@50°C
Max. output power		275kW
Rated grid voltage		800V
Grid voltage range		680~880V
Max. output current		198.5A
Rated grid frequency / range		50Hz/45~55Hz, 60Hz/55~65Hz
Output current harmonic(at nominal power)		<3%
Power factor at nominal power / range		>0.99/0.8leading to 0.8lagging
Protection		
DC reverse connection protection		Yes
Overvoltage protection		DC Type II/AC Type II
Leakage current protection		Yes
Grid monitoring		Yes
Insulation monitoring		Yes
Anti-island protection		Yes
Efficiency		
Max. Efficiency		99,03%
EU efficiency		98,80%
General Data		
Isolation method		Transformerless
Self-consuming in night		<3.5W
Protection level		IP66
Noise		<60dB
Temperature		- 3 0°C~+ 60°C
Allowed humidity(non condensing)		0-100%
Cooling mode		Temperature controlled forced air cooling
Max.operating altitude		5000m (>4000m derating)
Communication port		Standard:PLC, Optional:RS485
Dimensions (W×H×D)		1180×733×350mm
Weight		130kg